

Article nr 8343145
 Colour Black



Key benefits

- Strong and Simple: solid, secure solutions to mount your TV
- Smoothly turn your TV up to 180°
- Lock your TV securely in place

For TVs up to 40 inch (102 cm)

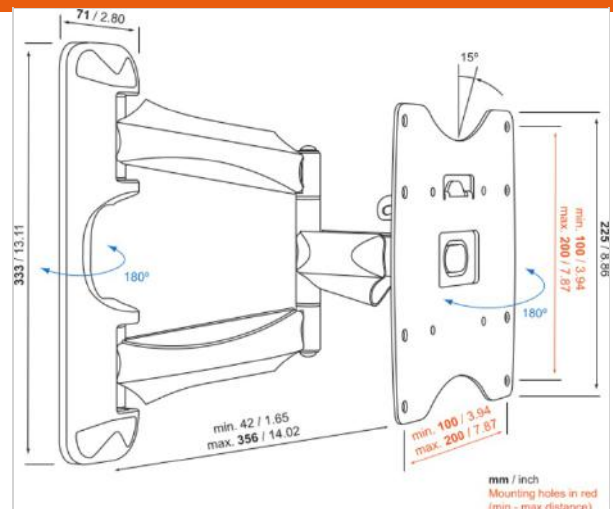
BASE 45 S is a durable TV wall mount, suitable for 19 to 40 inch (48 to 102 cm) TVs weighing up to 15 kg (33 lbs).

Extra-wide turn angle for a great view

The BASE 45 S has an extra-wide turn angle of up to 90 degrees left or right. That means you can get the perfect viewing angle from anywhere in the room, and possibly even from adjacent rooms. You can fold it flat against the wall when you're not watching TV, for the best of both worlds.

The BASE series: strong and simple

By choosing a BASE series wall mount, you choose a solid, secure solution for mounting your TV on the wall. A sturdy lock release feature clicks your TV safely into the bracket. Mounting the BASE 45 S is easy, as it comes with clear mounting instructions and all the mounting materials you need.





Specifications

Product specifications

Product type number	BASE 45 S
Article number (SKU)	8343145
Colour	Black
EAN single box	8712285324208
Product size	S
TÜV certified	Yes
Tilt	Tilt up to 15°
Turn	Up to 180°
Guarantee	10 years
Min. screen size (inch)	19 inch
Max. screen size (inch)	40 inch
Max. weight load (kg)	20
Fixed VESA patterns	75 mm x 75 mm 100 mm x 100 mm 200 mm x 100 mm 200 mm x 200 mm
Max. bolt size	M8
Max. height of interface (mm)	225
Max. width of interface (mm)	236

Technical specifications and dimensions

Min. distance to the wall (mm)	42
Max. distance to the wall (mm)	356

Features

Functionality Turn

